

# Electric powered forklift 6.0 - 8.0 ton

**TRAIKO<sup>80</sup>**



# Electric powered forklift 6.0 - 8.0 ton

| Truck specifications |                         |  |   |                | 9FBM60T       | 9FBM70T       | 9FBM80T       | 9FBH80T       |
|----------------------|-------------------------|--|---|----------------|---------------|---------------|---------------|---------------|
| Identification       | 1.1                     | Manufacturer   |   |                | Toyota        | Toyota        | Toyota        | Toyota        |
|                      | 1.2                     | Model  |   |                | 9FBM60T       | 9FBM70T       | 9FBM80T       | 9FBH80T       |
|                      | 1.3                     | Drive  |   |                | Electric      | Electric      | Electric      | Electric      |
|                      | 1.4                     | Operator type  |   |                | Driver seated | Driver seated | Driver seated | Driver seated |
|                      | 1.5                     | Load capacity/rated load   | Q   | kg             | 6000          | 7000          | 8000          | 8000          |
|                      | 1.6                     | Load centre  | c   | mm             | 600           | 600           | 600           | 900           |
|                      | 1.8                     | Load distance, centre of drive axle to fork                            | x   | mm             | 700           | 710           | 715           | 750           |
|                      | 1.9                     | Wheelbase  | y   | mm             | 2300          | 2300          | 2300          | 2300          |
| Weight               | 2.1                     | Service weight   |   | kg             | 12765         | 13476         | 14461         | 15918         |
|                      | 2.2                     | Axle load, with load, front/rear                                       |   | kg             | 16425 / 2340  | 18481 / 1995  | 20196 / 2265  | 21565 / 2553  |
|                      | 2.3                     | Axle load, without load, front/rear                                    |   | kg             | 7034 / 5731   | 7494 / 5892   | 7622 / 6839   | 7826 / 8092   |
| Tyres                | 3.1                     | Tyres - pneumatic (P), pneumatic shaped cushion (SE), solid rubber (R) |   |                | SE            | SE            | SE            | SE            |
|                      | 3.2                     | Tyre size, front   |   |                | 355/50-20     | 8.25-15       | 300-15        | 300-15        |
|                      | 3.3                     | Tyre size, rear  |   |                | 8.25-15       | 8.25-15       | 300-15        | 300-15        |
|                      | 3.5                     | Wheels, number front/rear (x = driven)                                 |   |                | 2x/2          | 4x/2          | 4x/2          | 4x/2          |
|                      | 3.6                     | Track width, front   | b <sub>10</sub>                             | mm             | 1328          | 1510          | 1575          | 1575          |
|                      | 3.7                     | Track width, rear  | b <sub>11</sub>                             | mm             | 1406          | 1406          | 1394          | 1394          |
|                      | Dimensions              | 4.1  | Tilt of mast/fork carriage forward/backward | $\alpha/\beta$ | deg           | 5/8           | 5/8           | 5/8           |
| 4.2                  |                         | Height, mast lowered   | h <sub>1</sub>                              | mm             | 2620          | 2720          | 2620          | 2820          |
| 4.3                  |                         | Free lift  | h <sub>2</sub>                              | mm             | 100           | 100           | 100           | 100           |
| 4.4                  |                         | Lift   | h <sub>3</sub>                              | mm             | 3300          | 3300          | 3300          | 3300          |
|                      |                         | Lift height  | h <sub>23</sub>                             | mm             | 3360          | 3360          | 3360          | 3370          |
| 4.5                  |                         | Height, mast extended  | h <sub>4</sub>                              | mm             | 4252          | 4252          | 4255          | 4480          |
| 4.7                  |                         | Height of overhead guard (cab)   | h <sub>6</sub>                              | mm             | 2835          | 2835          | 2835          | 2835          |
| 4.8                  |                         | Seat height  | h <sub>7</sub>                              | mm             | 1710          | 1710          | 1710          | 1710          |
| 4.12                 |                         | Coupling height  | h <sub>10</sub>                             | mm             | 785           | 785           | 785           | 785           |
| 4.19                 |                         | Overall length   | l <sub>1</sub>                              | mm             | 4680          | 4690          | 4695          | 5450          |
| 4.20                 |                         | Length to face of forks  | l <sub>2</sub>                              | mm             | 3480          | 3490          | 3495          | 3650          |
| 4.21                 |                         | Overall width  | b <sub>1</sub>                              | mm             | 1660          | 2004          | 2141          | 2141          |
| 4.22                 |                         | Fork dimensions  | s/e/l                                       | mm             | 60x200x1200   | 60x200x1200   | 60x200x1200   | 70x200x1800   |
| 4.23                 |                         | Fork carriage DIN 15 173, class/type A, B                              |   |                | IVA           | IVA           | IVA           | IVA           |
| 4.24                 |                         | Fork carriage width  | b <sub>3</sub>                              | mm             | 1600          | 1700          | 1700          | 1700          |
| 4.31                 |                         | Ground clearance, with load, below mast                                | m <sub>1</sub>                              | mm             | 220           | 220           | 220           | 220           |
| 4.32                 |                         | Ground clearance, centre of wheelbase                                  | m <sub>2</sub>                              | mm             | 210           | 210           | 210           | 210           |
| 4.33                 |                         | Aisle width for pallets 1000x1200 crossways                            | A <sub>st</sub>                             | mm             | 4705          | 4715          | 4720          | 4861          |
| 4.34                 |                         | Aisle width for pallets 800x1200 lengthways                            | A <sub>st</sub>                             | mm             | 4905          | 4915          | 4920          | 5061          |
| 4.35                 |                         | Turning radius   | W <sub>a</sub>                              | mm             | 3005          | 3005          | 3005          | 3111          |
| 4.36                 | Internal turning radius | b <sub>13</sub>  | mm  | 753            | 753           | 753           | 753           |               |
| Performance          | 5.1                     | Travel speed, with/without load  |   | km/h           | 18/20         | 18/20         | 17/19         | 16/18         |
|                      | 5.2                     | Lift speed, with/without load  |   | m/s            | 0,38/0,48     | 0,36/0,48     | 0,32/0,42     | 0,32/0,42     |
|                      | 5.3                     | Lowering speed, with/without load                                      |   | m/s            | 0,55/0,45     | 0,55/0,45     | 0,55/0,45     | 0,55/0,45     |
|                      | 5.5                     | Drawbar pull, with/without load  |   | N              | 16573/17749   | 16237/17558   | 15848/17418   | 15562/17132   |
|                      | 5.6                     | Max. drawbar pull, with/without load                                   |   | N              | 44600 / 44600 | 44600 / 44600 | 44600 / 44600 | 44600 / 44600 |
|                      | 5.7                     | Gradeability, with/without load  |   | %              | 7/11          | 6,3/10,6      | 5,6/9,7       | 5,2/8,7       |
|                      | 5.8                     | Max. gradeability, with/without load                                   |   | %              | 19/29         | 18/27         | 16/25         | 16/23         |
|                      | 5.9                     | Acceleration time, with/without load                                   |   | s              | 5,1/4,7       | 5,8/5,1       | 5,8/5,1       | 6,0/5,2       |
|                      | 5.10                    | Service brake  |   |                | Hydraulic     | Hydraulic     | Hydraulic     | Hydraulic     |
|                      | Electric motor          | 6.1  | Drive motor rating S2 60 min                |                | kW            | 2x 21,2       | 2x 21,2       | 2x 21,2       |
| 6.2                  |                         | Lift motor rating S3 15%   |   | kW             | 32            | 32            | 32            | 32            |
| 6.3                  |                         | Battery acc. to DIN 43 531/35/36 A, B, C, no                           |   |                | DIN 43536 A   | DIN 43536 A   | DIN 43536 A   | DIN 43536 A   |
| 6.4                  |                         | Battery voltage, nominal capacity K <sub>5</sub>                       |   | V/Ah           | 80/1120       | 80/1120       | 80/1120       | 80/1120       |
| 6.5                  |                         | Battery weight   |   | kg             | 2785          | 2785          | 2785          | 2785          |
| 6.6                  |                         | Energy consumption acc. to EN16796:2016                                |   |                | 10.5          | 11.0          | 13.1          | 14.5          |
| Others               | 8.1                     | Type of drive control  |   |                | AC            | AC            | AC            | AC            |
|                      | 8.2                     | Operating pressure for attachments                                     |   | bar            | 250           | 250           | 250           | 250           |
|                      | 8.3                     | Oil volume for attachments   |   | l/min          | 80            | 80            | 80            | 80            |
|                      | 8.4                     | Sound level at the driver's ear according to EN 12 053                 |   | dB(A)          | 65,8          | 65,8          | 65,8          | 65,8          |

All data are based on table configuration. Other configurations may give other values.

Truck performance and dimensions are nominal and subject to tolerances.

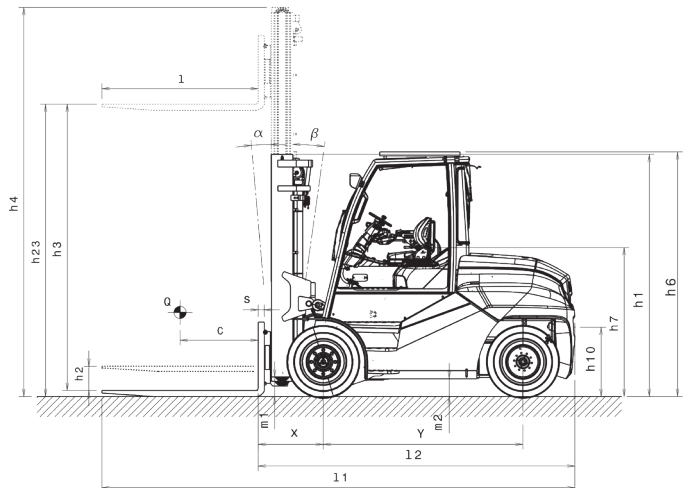
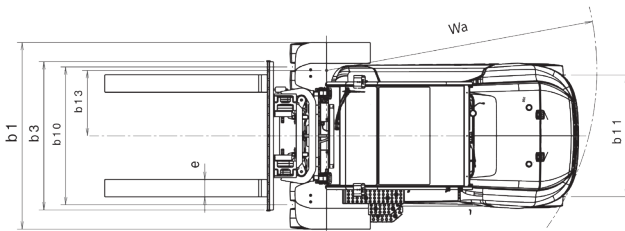
Products and specifications are subject to change without notice.

# Mast dimensions and rated capacities

| Model   |                       |          | V    |      |      |      |      |      |      | FV   |      |      | FSV  |      |      |      |      |      |      |
|---------|-----------------------|----------|------|------|------|------|------|------|------|------|------|------|------|------|------|------|------|------|------|
| 9FBM60T | Lift height           | $h_{23}$ | 3360 | 3760 | 4060 | 4560 | 5060 | 5560 | 6060 | 3360 | 3760 | 4060 | 4360 | 4760 | 5060 | 5560 | 6060 | 6560 | 7060 |
|         | Lift                  | $h_3$    | 3300 | 3700 | 4000 | 4500 | 5000 | 5500 | 6000 | 3300 | 3700 | 4000 | 4300 | 4700 | 5000 | 5500 | 6000 | 6500 | 7000 |
|         | Height, mast lowered  | $h_1$    | 2620 | 2820 | 3020 | 3270 | 3520 | 3770 | 4020 | 2620 | 2820 | 3020 | 2620 | 2720 | 2820 | 3020 | 3220 | 3420 | 3620 |
|         | Height, mast extended | $h_4$    | 4252 | 4652 | 4970 | 5470 | 5970 | 6470 | 6970 | 4280 | 4680 | 4980 | 5280 | 5680 | 5980 | 6480 | 6980 | 7480 | 7980 |
|         | Free lift             | $h_2$    | 100  | 100  | 100  | 100  | 100  | 100  | 100  | 1705 | 1905 | 2055 | 1655 | 1755 | 1855 | 2055 | 2255 | 2455 | 2655 |
| 9FBM70T | Lift height           | $h_{23}$ | 3360 | 3760 | 4060 | 4560 | 5060 | 5560 | 6060 | 3360 | 3760 | 4060 | 4360 | 4760 | 5060 | 5560 | 6060 | 6560 | 7060 |
|         | Lift                  | $h_3$    | 3300 | 3700 | 4000 | 4500 | 5000 | 5500 | 6000 | 3300 | 3700 | 4000 | 4300 | 4700 | 5000 | 5500 | 6000 | 6500 | 7000 |
|         | Height, mast lowered  | $h_1$    | 2720 | 2920 | 3120 | 3370 | 3620 | 3870 | 4120 | 2720 | 2920 | 3120 | 2620 | 2720 | 2820 | 3020 | 3220 | 3420 | 3620 |
|         | Height, mast extended | $h_4$    | 4352 | 4752 | 5070 | 5570 | 6070 | 6570 | 7070 | 4280 | 4680 | 4980 | 5280 | 5680 | 5980 | 6480 | 6980 | 7480 | 7980 |
|         | Free lift             | $h_2$    | 100  | 100  | 100  | 100  | 100  | 100  | 100  | 1740 | 1940 | 2140 | 1655 | 1755 | 1855 | 2055 | 2255 | 2455 | 2655 |
| 9FBM80T | Lift height           | $h_{23}$ | 3360 | 3760 | 4060 | 4560 | 5060 | 5560 | 6060 | 3360 | 3760 | 4060 | 4360 | 4760 | 5060 | 5560 | 6060 | 6560 | 7060 |
|         | Lift                  | $h_3$    | 3300 | 3700 | 4000 | 4500 | 5000 | 5500 | 6000 | 3300 | 3700 | 4000 | 4300 | 4700 | 5000 | 5500 | 6000 | 6500 | 7000 |
|         | Height, mast lowered  | $h_1$    | 2620 | 2920 | 3120 | 3370 | 3620 | 3870 | 4120 | 2670 | 2920 | 3120 | 2690 | 2820 | 2920 | 3090 | 3260 | 3430 | 3620 |
|         | Height, mast extended | $h_4$    | 4255 | 4720 | 5070 | 5570 | 6070 | 6570 | 7070 | 4334 | 4734 | 5034 | 5353 | 5753 | 6053 | 6553 | 7053 | 7553 | 8053 |
|         | Free lift             | $h_2$    | 100  | 100  | 100  | 100  | 100  | 100  | 100  | 1705 | 1955 | 2155 | 1710 | 1840 | 1940 | 2110 | 2280 | 2450 | 2640 |
| 9FBH80T | Lift height           | $h_{23}$ | 3370 | 3770 | 4070 | 4570 | 5070 | 5570 | 6070 | 3370 | 3770 | 4070 | 4370 | 4770 | 5070 | 5570 | 6070 | 6570 | 7070 |
|         | Lift                  | $h_3$    | 3300 | 3700 | 4000 | 4500 | 5000 | 5500 | 6000 | 3300 | 3700 | 4000 | 4300 | 4700 | 5000 | 5500 | 6000 | 6500 | 7000 |
|         | Height, mast lowered  | $h_1$    | 2820 | 3120 | 3320 | 3570 | 3820 | 4070 | 4320 | 2770 | 3020 | 3220 | 2820 | 2950 | 3050 | 3220 | 3390 | 3550 | 3720 |
|         | Height, mast extended | $h_4$    | 4480 | 4920 | 5270 | 5770 | 6270 | 6770 | 7270 | 4334 | 4734 | 5034 | 5575 | 5975 | 6275 | 6775 | 7275 | 7775 | 8275 |
|         | Free lift             | $h_2$    | 100  | 100  | 100  | 100  | 100  | 100  | 100  | 1745 | 1995 | 2195 | 1545 | 1675 | 1775 | 1945 | 2115 | 2275 | 2445 |

| Single tyre |                            |     | V    |      |      |      |      |      |      | FV   |      |      | FSV  |      |      |      |      |      |      |
|-------------|----------------------------|-----|------|------|------|------|------|------|------|------|------|------|------|------|------|------|------|------|------|
| 9FBM60T     | Tilt range, forward        | deg | 5    | 5    | 5    | 5    | 5    | 5    | 5    | 5    | 5    | 5    | 5    | 5    | 5    | 5    | 5    | 5    | 5    |
|             | Tilt range, Backward       | deg | 8    | 8    | 8    | 8    | 8    | 8    | 8    | 8    | 8    | 8    | 8    | 8    | 8    | 8    | 8    | 8    | 8    |
|             | Load capacity at 600 mm LC | kg  | 6000 | 6000 | 6000 | 6000 | 6000 | 6000 | 6000 | 6000 | 6000 | 6000 | 6000 | 6000 | 6000 | 6000 | 6000 | 6000 | 6000 |

| Dual tyre |                            |     | V    |      |      |      |      |      |      | FV   |      |      | FSV  |      |      |      |      |      |      |
|-----------|----------------------------|-----|------|------|------|------|------|------|------|------|------|------|------|------|------|------|------|------|------|
| 9FBM70T   | Tilt range, forward        | deg | 5    | 5    | 5    | 5    | 5    | 5    | 5    | 5    | 5    | 5    | 5    | 5    | 5    | 5    | 5    | 5    | 5    |
|           | Tilt range, backward       | deg | 8    | 8    | 8    | 8    | 8    | 8    | 8    | 8    | 8    | 8    | 8    | 8    | 8    | 8    | 8    | 8    | 8    |
|           | Load capacity at 600 mm LC | kg  | 7000 | 7000 | 7000 | 7000 | 7000 | 7000 | 7000 | 7000 | 7000 | 7000 | 7000 | 7000 | 7000 | 6700 | 6700 | 6200 | 6200 |
| 9FBM80T   | Tilt range, forward        | deg | 5    | 5    | 5    | 5    | 5    | 5    | 5    | 5    | 5    | 5    | 5    | 5    | 5    | 5    | 5    | 5    | 5    |
|           | Tilt range, backward       | deg | 8    | 8    | 8    | 8    | 8    | 8    | 8    | 8    | 8    | 8    | 8    | 8    | 8    | 8    | 8    | 8    | 8    |
|           | Load capacity at 600 mm LC | kg  | 8000 | 8000 | 8000 | 8000 | 8000 | 8000 | 7700 | 8000 | 8000 | 8000 | 8000 | 8000 | 8000 | 8000 | 7700 | 7500 | 7500 |
| 9FBH80T   | Tilt range, forward        | deg | 5    | 5    | 5    | 5    | 5    | 5    | 5    | 5    | 5    | 5    | 5    | 5    | 5    | 5    | 5    | 5    | 5    |
|           | Tilt range, backward       | deg | 8    | 8    | 8    | 8    | 8    | 8    | 8    | 8    | 8    | 8    | 8    | 8    | 8    | 8    | 8    | 8    | 8    |
|           | Load capacity at 900 mm LC | kg  | 8000 | 8000 | 8000 | 8000 | 7700 | 7700 | 7500 | 8000 | 8000 | 8000 | 8000 | 8000 | 8000 | 8000 | 7700 | 7300 | 7300 |



---

## Standard equipments:

- Toyota SAS (System of Active Stability)
- Toyota AC<sup>2</sup> power train
- Toyota OPS (Operator Presence Sensing), Toyota ORS seat (Operator Restraint System)
- Seat mounted hydraulic minilevers
- Wide visible mast [V3300 mm]
- Long forks [length: 1200 mm (9FBM60-80T), 1800 mm (9FBH80T)]
- Automatic parking brake, Wet disc brakes, Wide brake pedal
- 4-way valve
- Electric power steering (EPS)
- Digital multifunction display with wheel indicator
- Telescopic & tiltable steering column
- Pneumatic shaped cushion tyres [single (9FBM60T); dual (9FBM70-80T, 9FBH80T)]
- Floating driver compartment
- Shockless landing lift
- Drive unit protector, Overhead guard protector
- Double assist grip



TMHE-Toyota Material Handling Europe — 749990-040, version 4, 2020-04-22

**TOYOTA**

MATERIAL HANDLING